



DOUGHTY ENGINEERING LTD

DATA SHEET

TITLE:
BABY QUICK TRIGGER CLAMP

PART NOS:
T58150 - SILVER
T58151 - BLACK

MATERIAL:
ALUMINIUM

WEIGHT:

SWL: 40 KG

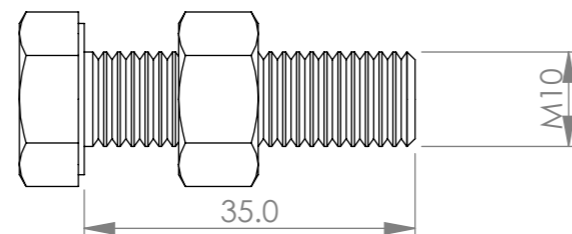
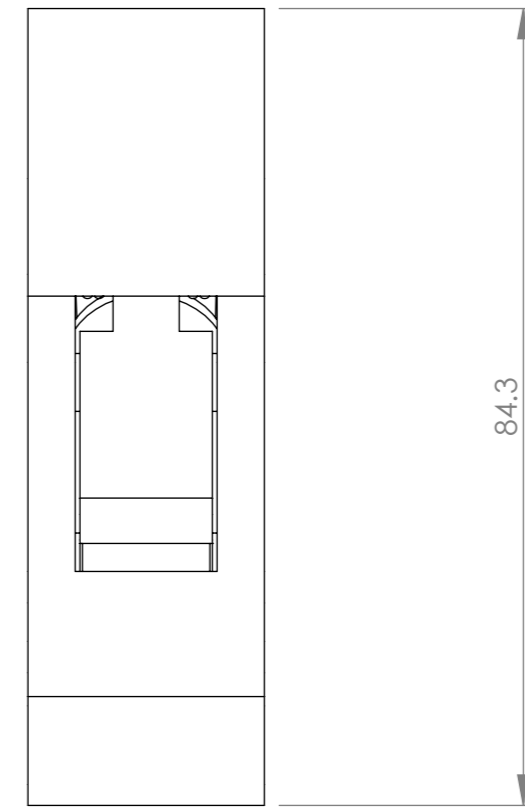
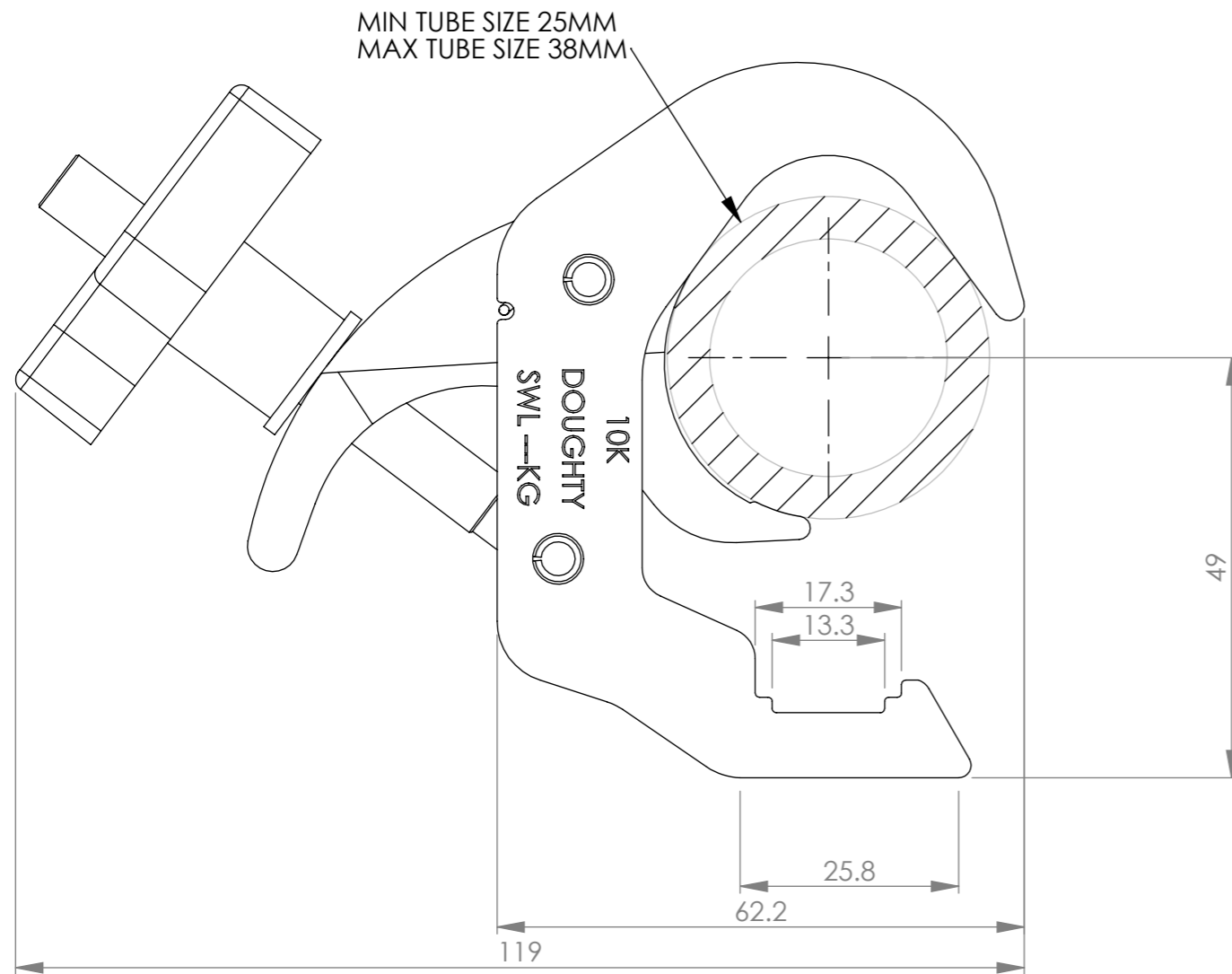
FINISH:
T58150 - POLISHED
T58151 - POWDER PAINTED BLACK

NOTES:
MIN TUBE SIZE - 25MM
MAX TUBE SIZE - 38MM

STRICTLY FOR REFERENCE PURPOSES ONLY



THIRD ANGLE PROJECTION



FIXING KIT (SUPPLIED WITH CLAMP)

