



User Manual

www.doughty-engineering.co.uk

T58107 / T58108 Lightweight Hook Clamp



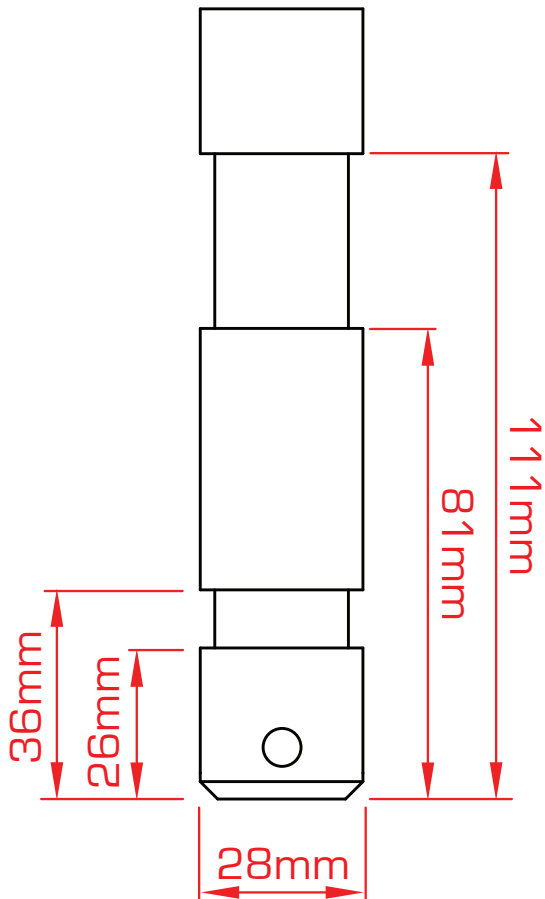
Version 01/11



www.doughty-engineering.co.uk

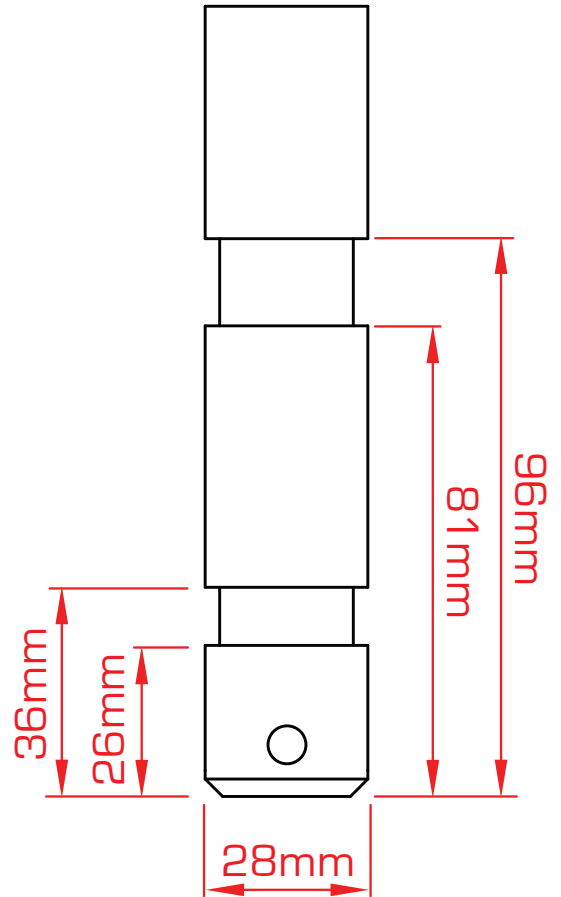
T57225 / T5722501

Euro Spec

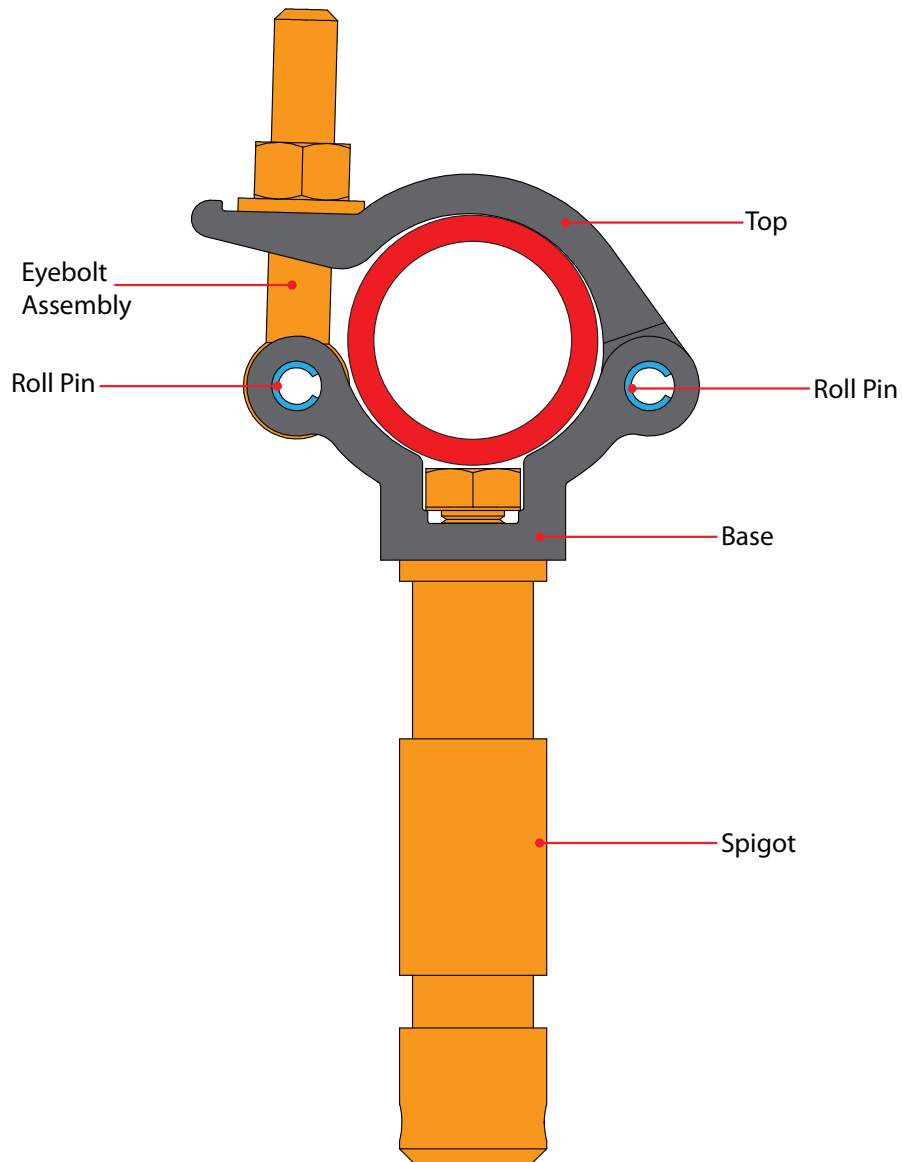


T57226 / T5722601

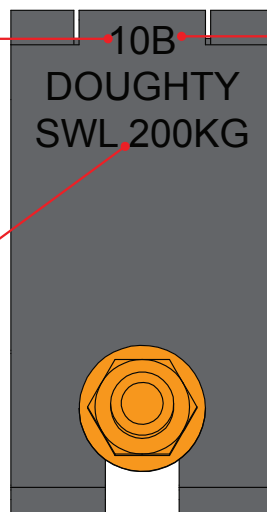
Din Spec



Eurospec spigots supersede BS spec spigots



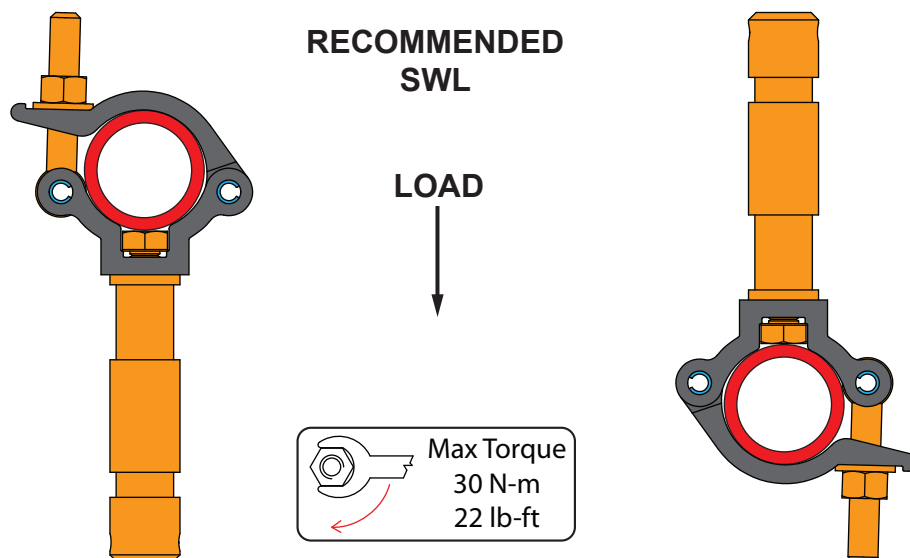
Year of Manufacturer
i.e. - 09 = 2009
10 = 2010
11 = 2011



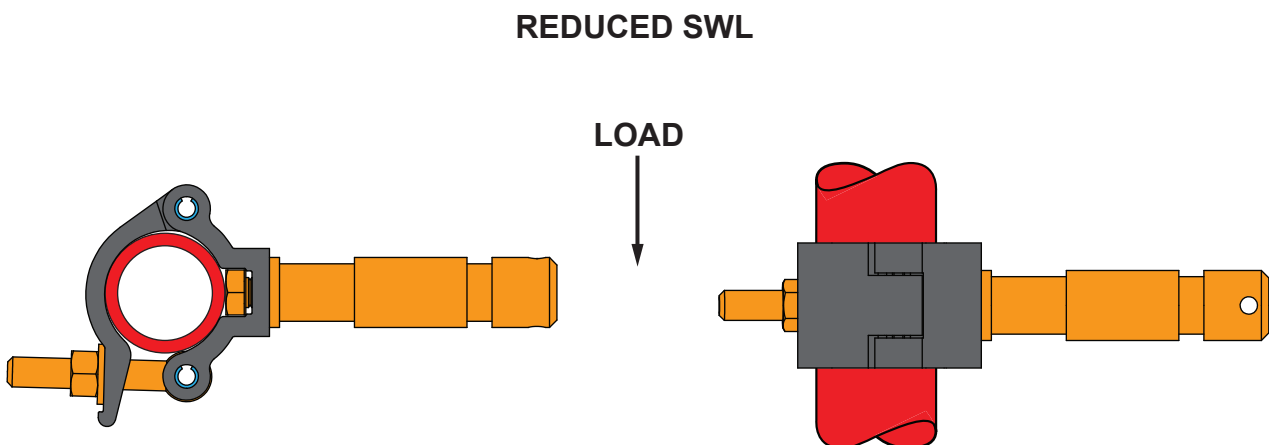
Month of Manufacturer
i.e. - A = Jan
B = Feb
C = March



Safe
Working
Load

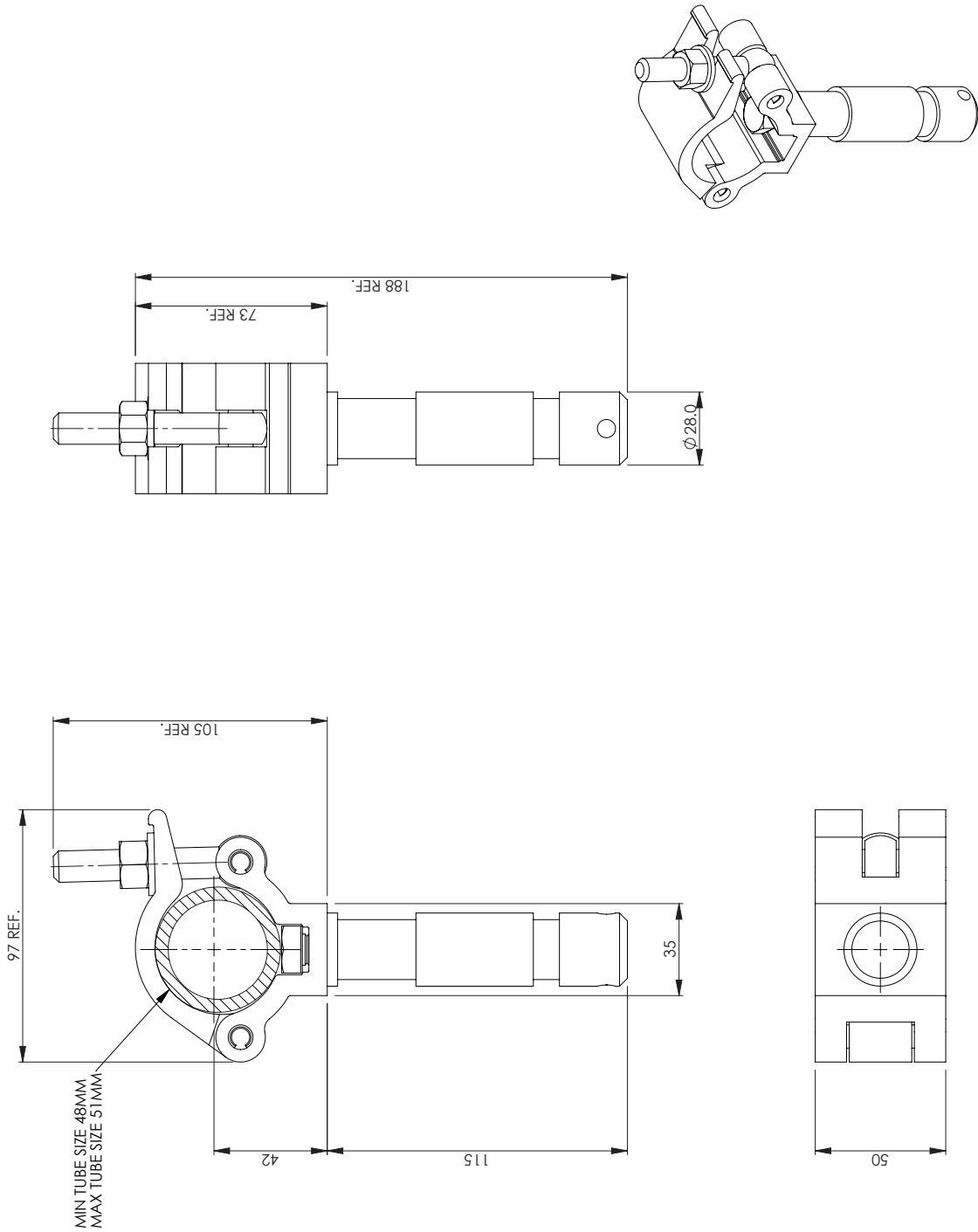
1. Never exceed the Safe Working Load (SWL) shown on the clamp.
2. Only use the clamp within the designed tube parameters (48-51mm)
3. All clamps should be visually inspected before use. In the event of any damage the clamp should be taken out of service and returned to an 'Approved Doughty Service Agent' for inspection. (see our dealer locator on our web site for a comprehensive list of Authorised Service Agents)
4. When used in conjunction with other accessories, care must be taken to ensure that the minimum SWL of any component is not exceeded.
5. Doughty Engineering Ltd does not recommend using any clamps which do not fully encompass the tube for overhanging. All open clamps including hookclamps should be used in a vertical orientation only.

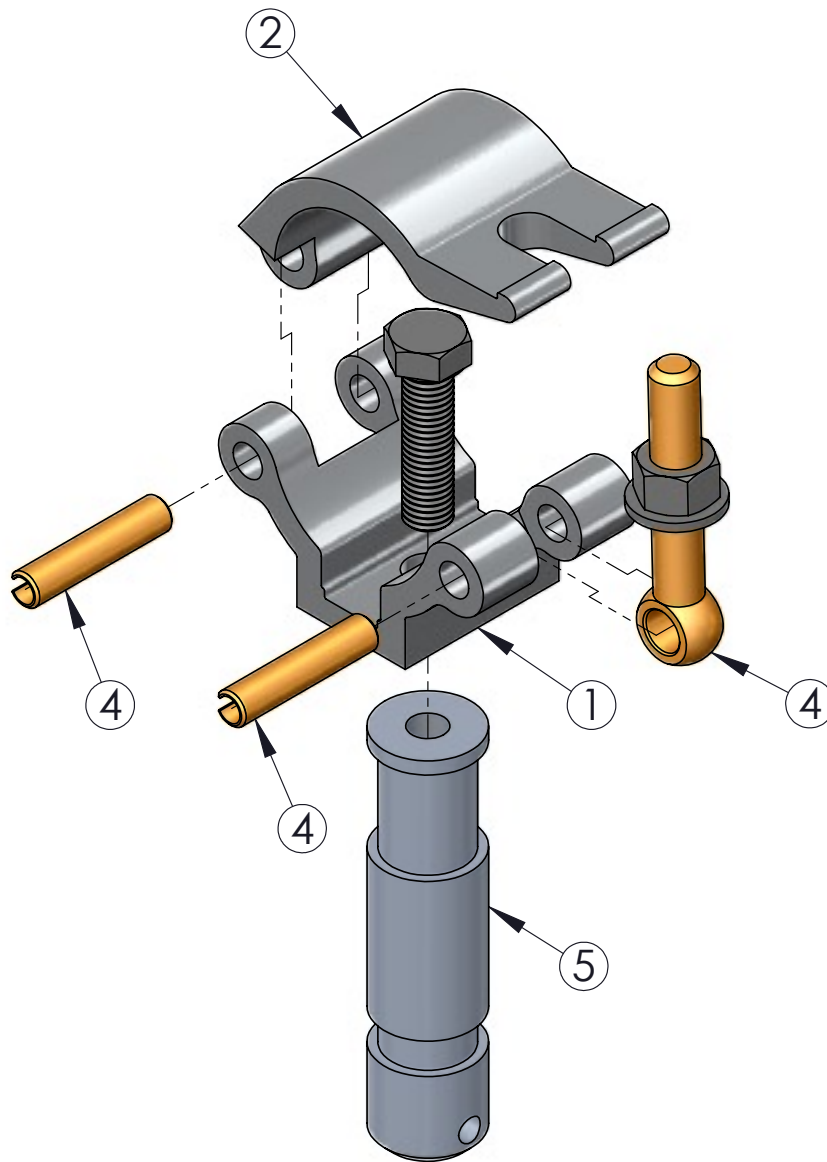


THE FOLLOWING APPLICATIONS WILL RESULT IN THE RECOMMENDED SWL BEING REDUCED DEPENDANT ON THE TUBE SURFACE FINISH & TORQUE SETTINGS APPLIED. PROOF LOADING ON INSTALLATIONS IS RECOMMENDED.



 DOUGHTY ENGINEERING LTD	<h2>DATA SHEET</h2>	TITLE: DOUGHTY L/W BIG BEN CLAMP - EURO	PART NOS: T58107	MATERIAL :	WEIGHT: 0.63 KG	SWL: 200 KG	FINISH: POLISHED	NOTES: MIN TUBE SIZE - 48MM MAX TUBE SIZE - 51MM	<p>STRICTLY FOR REFERENCE PURPOSES ONLY</p>  <p>THIRD ANGLE PROJECTION</p>
--	---------------------	---	------------------	------------	-----------------	-------------	------------------	--	--







DOUGHTY PRODUCTS MUST ONLY BE SERVICED / REPAIRED BY
 AN AUTHORISED SERVICE AGENT.
 SPARE PARTS ARE ONLY AVAILABLE TO THESE AGENTS

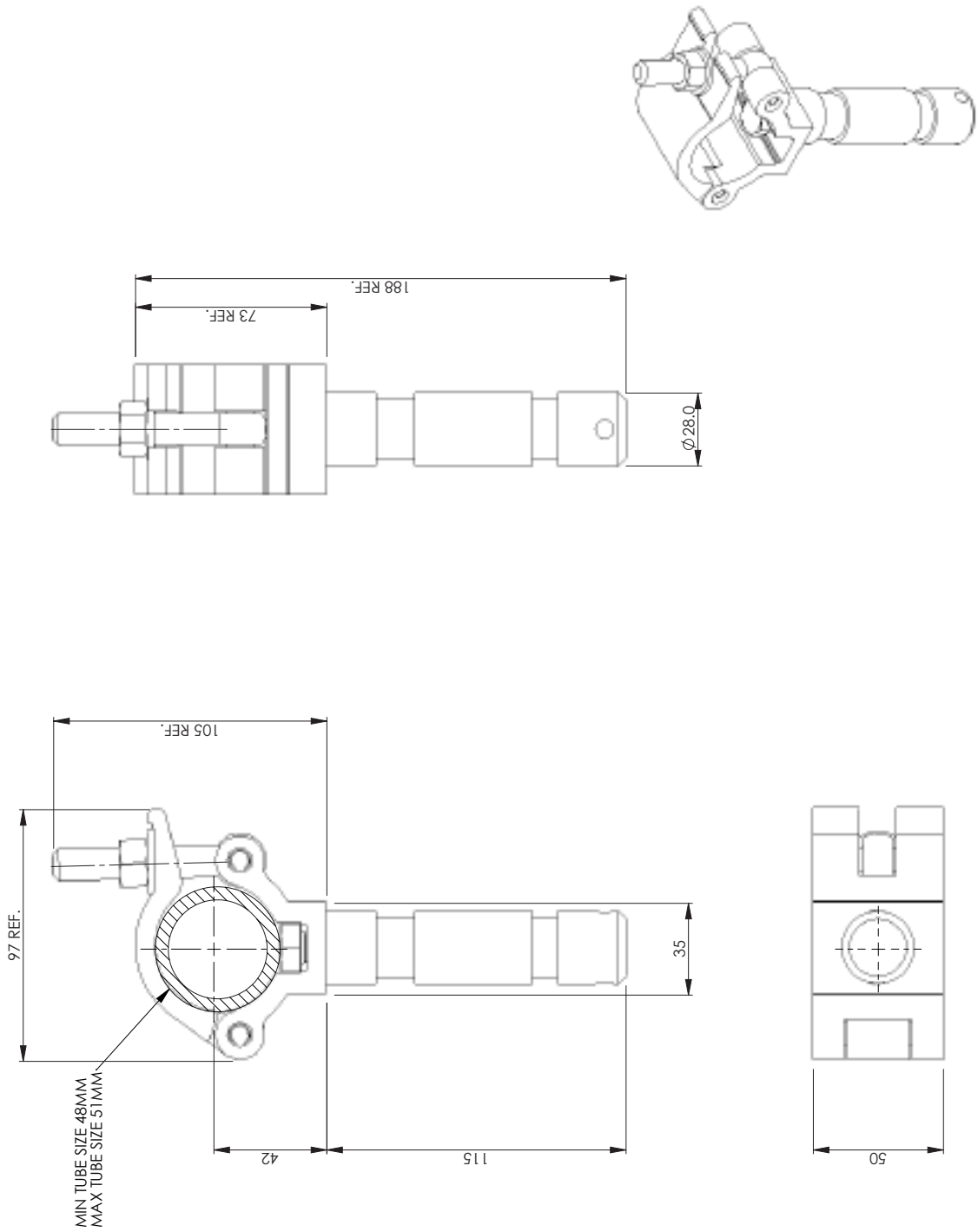
ITEM NO.	PART NUMBER	DESCRIPTION	Spares/QTY.
1	TH640	MACHINED L/W DOUGHTY CLAMP BASE	1
2	TH257	MACHINED L/W DOUGHTY CLAMP TOP	1
4	F790	0.375" X 1.75" STAINLESS STEEL ROLL PIN	2
4	T78005	M12 X 104 EYEBOLT ASSEMBLY	1
5	T74303	M12 FEMALE TV SPIGOT ALUMINIUM SHORT SHANK (EURO SPEC)	1

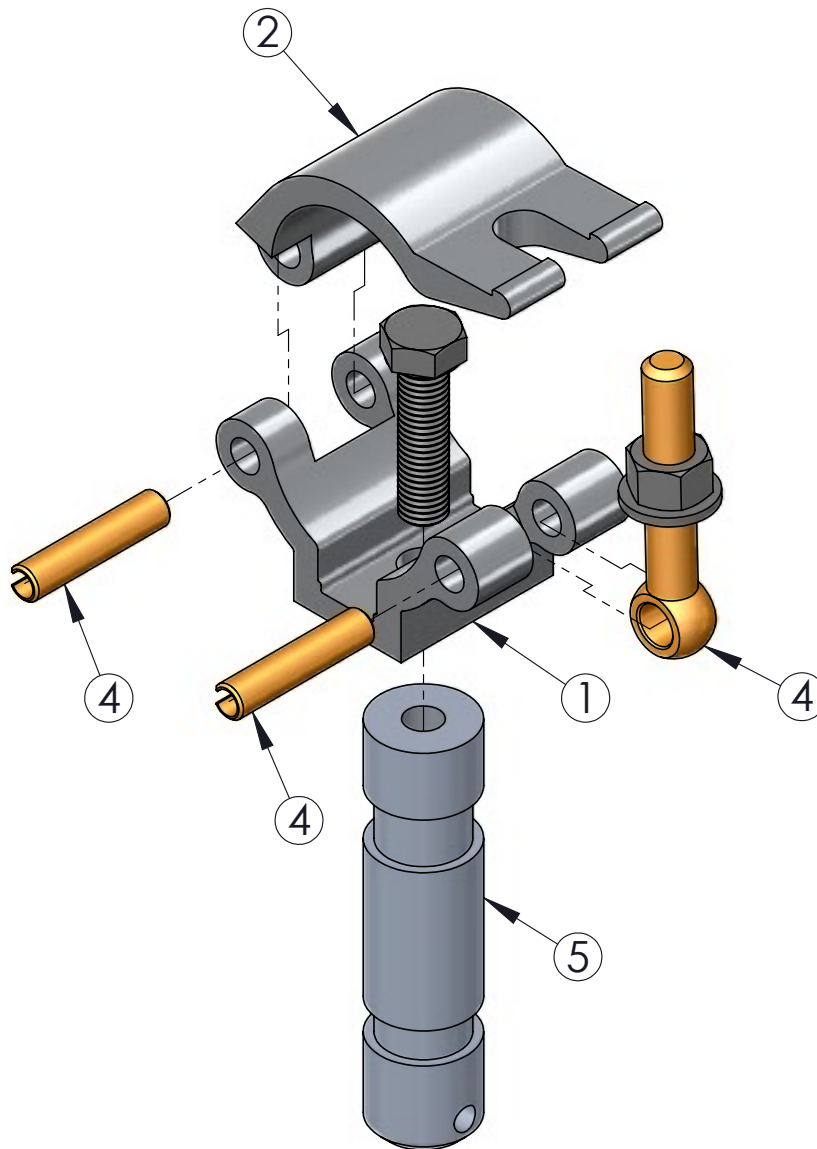
T58107 - DOUGHTY L/W BIG BEN CLAMP - EURO



DRAWN	AW
DATE	26/01/2011
NOT TO SCALE	Rev 1

 DOUGHTY ENGINEERING LTD	<h2>DATA SHEET</h2>
TITLE: DOUGHTY L/W BIG BEN CLAMP - DIN	PART NOS: T58108
MATERIAL :	WEIGHT: 0.63 KG
SWL: 200 KG	FINISH: POLISHED
NOTES:	MIN TUBE SIZE - 48MM MAX TUBE SIZE - 51MM
<h3>STRICTLY FOR REFERENCE PURPOSES ONLY</h3>	
 THIRD ANGLE PROJECTION	






DOUGHTY PRODUCTS MUST ONLY BE SERVICED / REPAIRED BY
 AN AUTHORISED SERVICE AGENT.
 SPARE PARTS ARE ONLY AVAILABLE TO THESE AGENTS

ITEM NO.	PART NUMBER	DESCRIPTION	Spares/QTY.
1	TH640	MACHINED L/W DOUGHTY CLAMP BASE	1
2	TH257	MACHINED L/W DOUGHTY CLAMP TOP	1
4	F790	0.375" X 1.75" STAINLESS STEEL ROLL PIN	2
4	T78005	M12 X 104 EYEBOLT ASSEMBLY	1
5	T74316	M12 FEMALE TV SPIGOT ALUMINIUM SHORT SHANK (DIN SPEC)	1

T58108 - DOUGHTY L/W BIG BEN CLAMP - DIN

 NOT TO SCALE	DRAWN	AW
	DATE	27/01/2011
	Rev	1



Doughty Engineering Limited

CROW ARCH LANE, RINGWOOD, HANTS, BH24 1NZ. ENGLAND

Telephone: +44 (0) 1425 478961 Fax: +44 (0) 1425 474481

www.doughty-engineering.co.uk

email:sales@doughty-engineering.co.uk

EC DECLARATION OF CONFORMITY

Doughty Engineering Limited hereby certify that the equipment stated below has been designed to comply with all relevant sections of the specifications referenced below and complies with all the applicable Essential Requirements of the EC Directives and amendments and the National Laws and Regulations adopting these Directives.

Description: Lightweight Big Ben Clamp

Model/s: Part No. T58107 / T58108

SWL: 200Kg **Factor:** 5:1

are in conformity with the provision of the following EC Directives:

MACHINERY DIRECTIVE 98/37/EC

Harmonised Standards applied:

EN 292-1-2:1991

BS EN ISO 9001:1994

National Technical Standards & Specifications applied:

BS 7905-1:2001

Signed:  Date:23-04-08

Name: Nigel Curtis Position: Technical Director

Being the responsible person appointed by the manufacturer.



DEQ 083 Rev 4

Company Registration No. London 972614
Registered Office: Crow Arch Lane, Ringwood, Hants, BH24 1NZ
Directors: M.B.Lister. J.C.G. Chiverton. N.D. Curtis. S.C. Wright





Doughty Engineering Ltd

Crow Arch Lane

Ringwood, Hampshire, BH24 1NZ

Tel: +44 (0) 1425 478961 Fax: +44 (0) 1425 474481

email: sales@doughty-engineering.co.uk

Web: www.doughty-engineering.co.uk

Note: Whilst every effort has been made to ensure that the information contained within this manual is correct, Doughty Engineering does not accept any liability for errors or omissions. Specifications and technical data are intended for guidance purposes only and may vary.